

11 00 670

**Secure engine in
installation position****Special tools required:**

- [00 6 100](#)
- [00 6 130](#)
- 00 6 050
- 00 6 070-072
- 00 6 070-071
- 00 6 050-053

**Warning!**

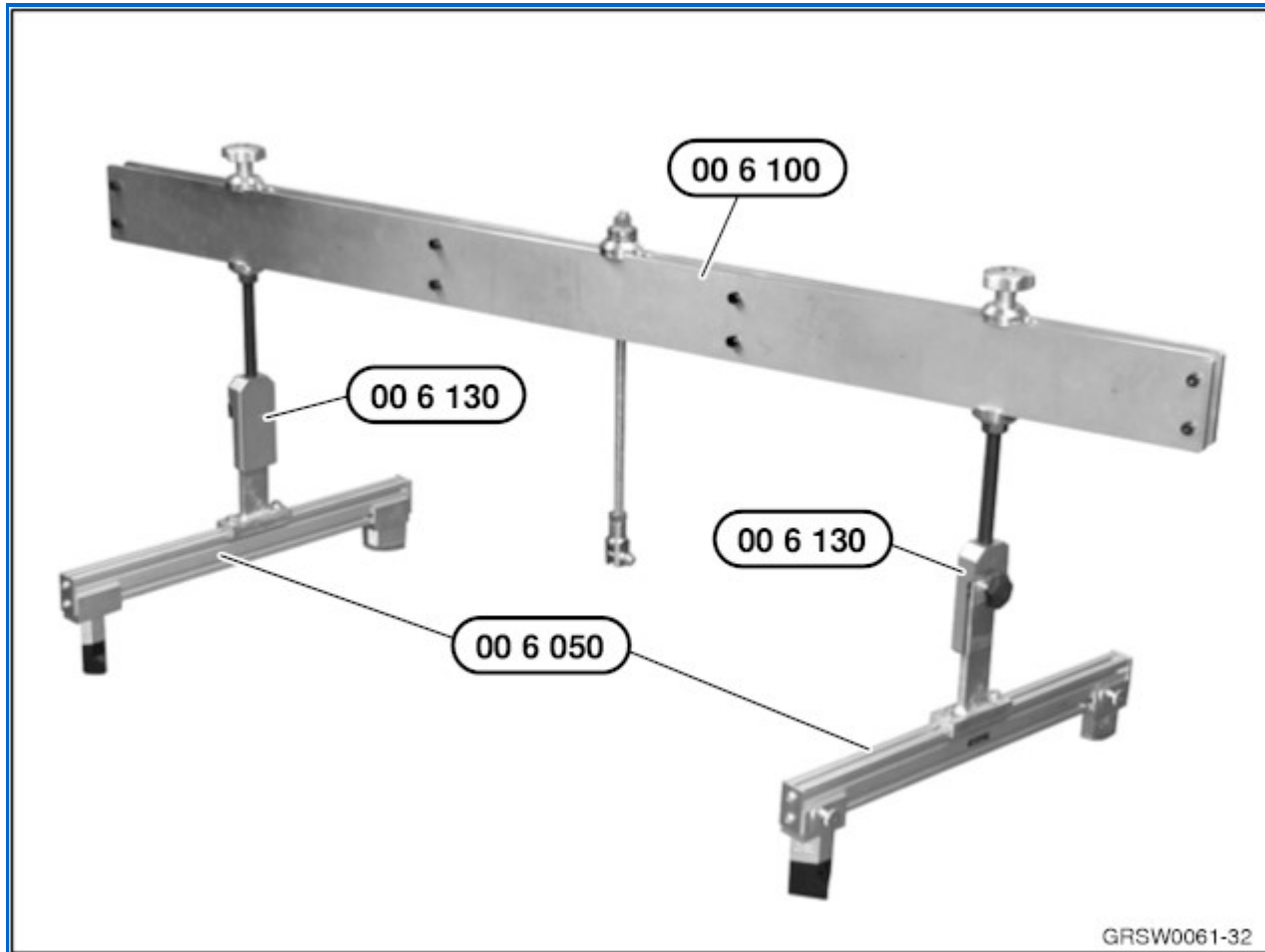
Danger of injury!

Observe following instructions relating to
special tool:

1. Prior to each use, check the special tools for defects, modifications and operational reliability.
2. Damaged/modified special tools must not be used!
3. No changes or modifications may be made to the special tools!
4. Keep special tools dry, clean and free of grease.

*Note:*

- [Numbering system for special tools](#) has been re-encoded.



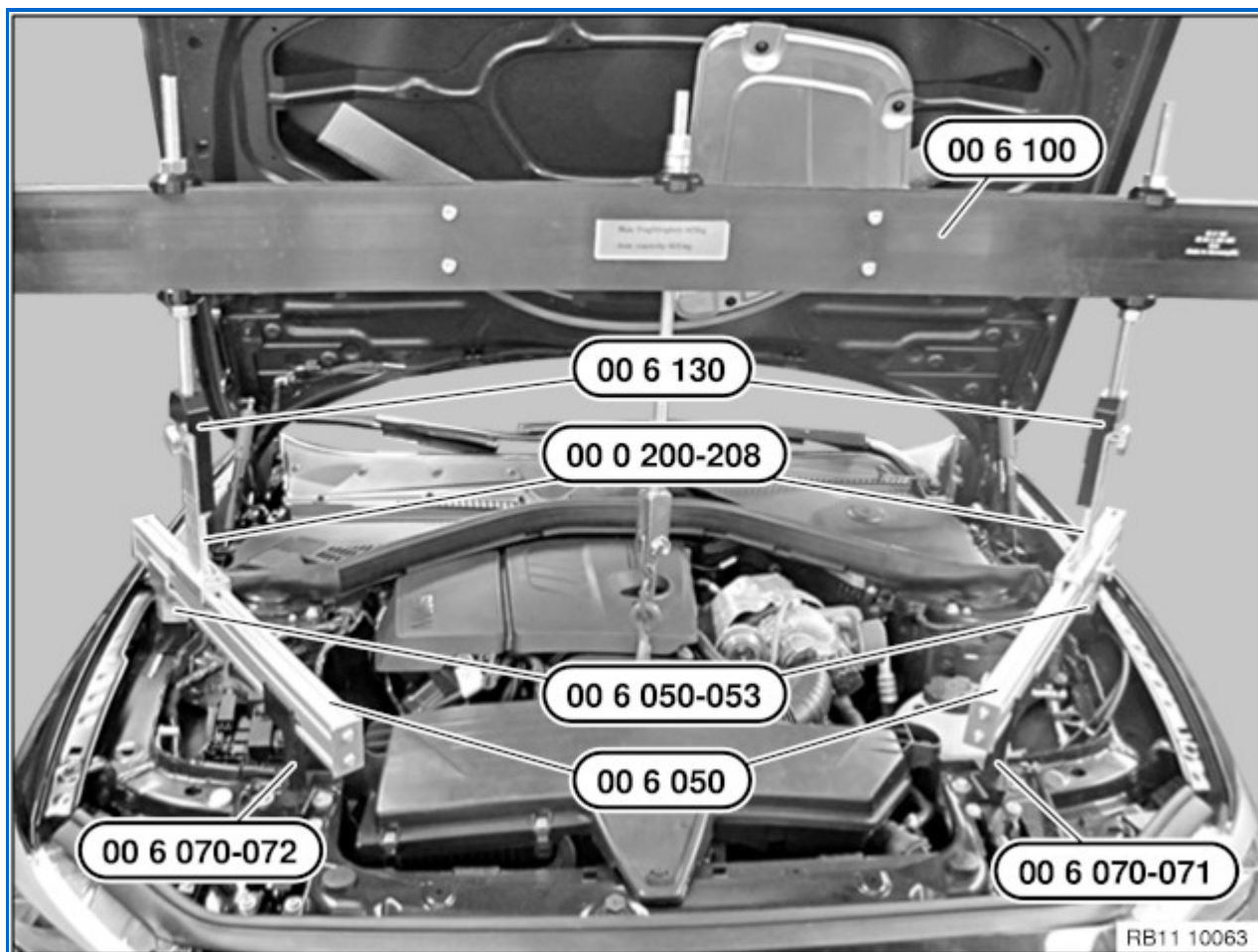
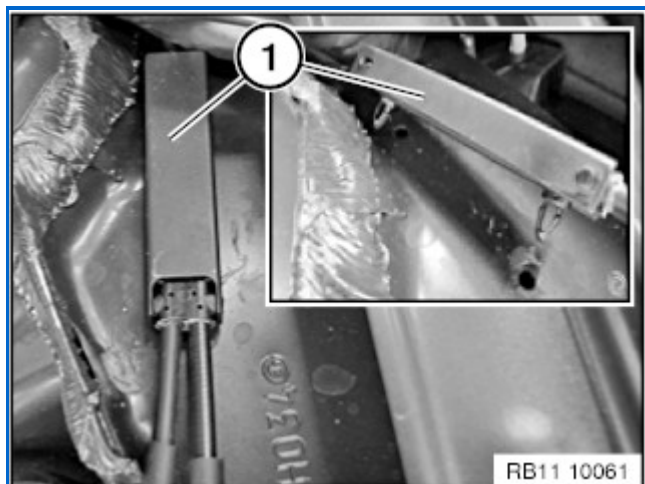
Special tools

*Necessary preliminary tasks:*

- Secure the engine compartment lid in the service position.
- Remove front [underbody protection](#).
- F33 convertible only, remove front-end struts.

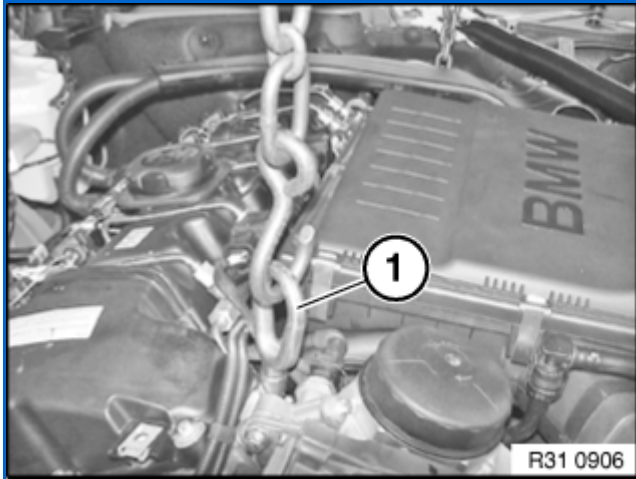
Assemble cross-member [00 6 100](#) with the special tools, [00 6 130](#), 00 6 050, 00 6 070-072, 00 6 070-071, 00 6 050-053.

Unclip Bowden cable (1) for hood opening.



Fit cross-member [00 6 100](#) with a 2nd person helping.

Screw towing hook (1) into engine block.



Attach chain to towing eye.



Warning!

Danger of injury!

Tighten down all screws and nuts on transverse member [00 6 100](#).

Important!

Before lifting the engine, check the lifting lugs for damage (cracks) and to ensure they are seated securely.

Avoid a change of engine position in the transverse or longitudinal direction.

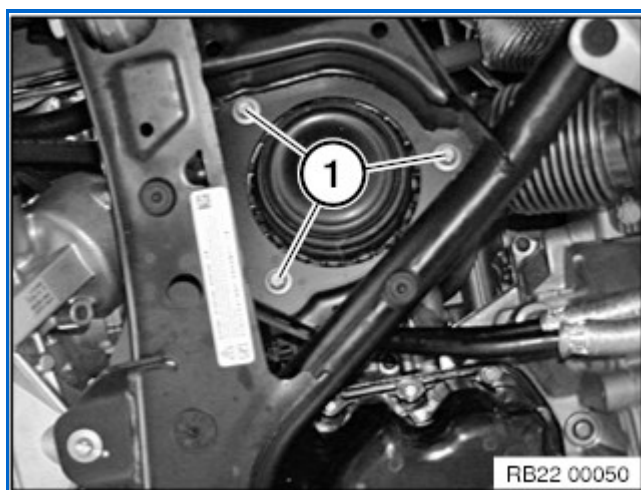
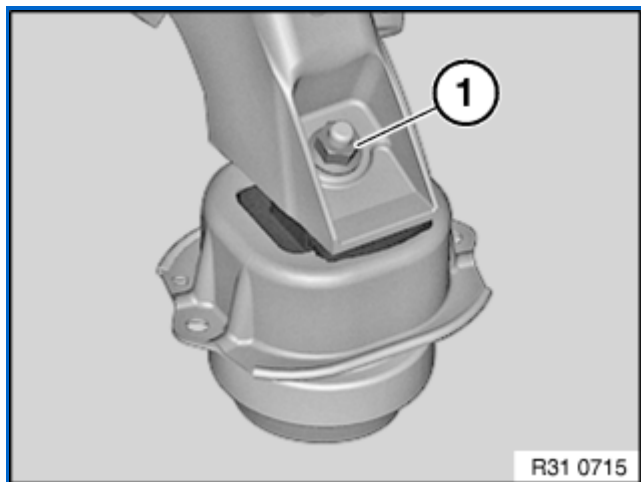
Always make sure there is sufficient clearance between the engine (or its add-on parts) and the body.

Note:

4WD

Release bolts (1) on engine mount.

Tightening torque [22 11 2AZ](#).



Note:

Rear-wheel drive

Release screws (1) from both engine mounts.

Raise engine approx. 10 mm with cross member.

Tightening torque [22 11 1AZ](#).

Important!

Observe installation note!

To ensure play between engine mount and front axle support, lower the engine completely before tightening the screw connection (engine mount/front axle support).

Tightening torque [22 11 1AZ](#).