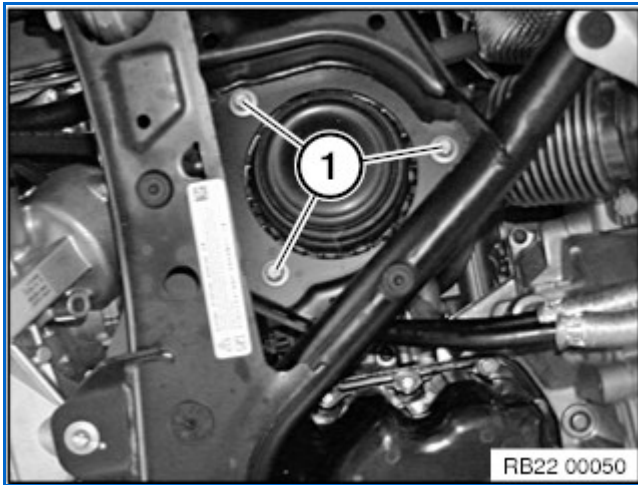


22 11 001

Replacing right engine
mount (N55)

Necessary preliminary tasks:

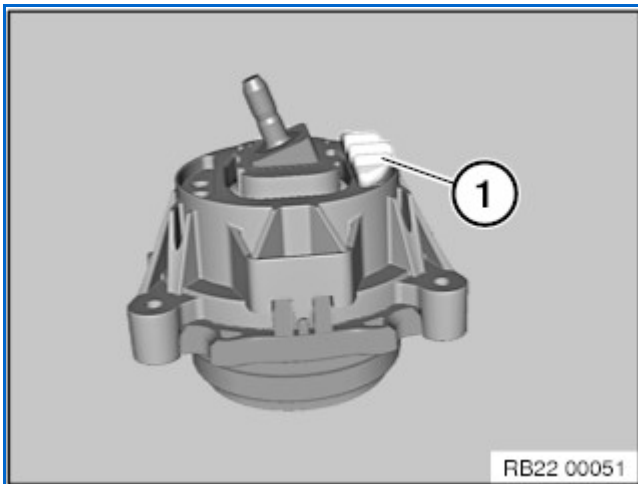
- Remove [engine support arm](#).



Release screws (1).

Tightening torque [22 11 1AZ](#).

Remove engine mount.

*Installation note:*Rubber part (1) of engine mount must point to
centre of vehicle.