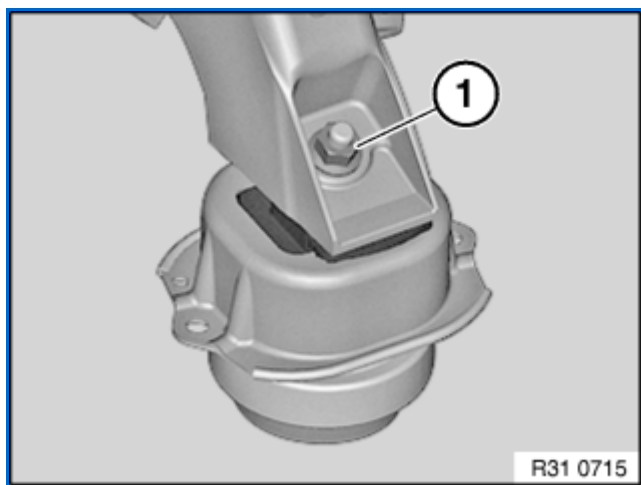


22 11 100

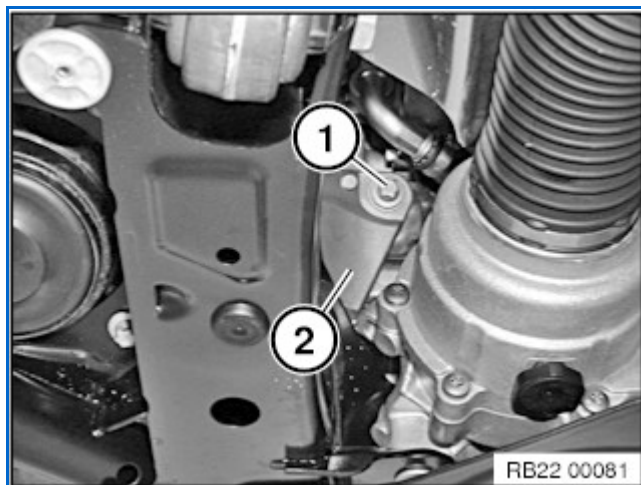
Replacing right engine
support arm (N55)

Necessary preliminary tasks:

- Secure engine in [installation position](#).



Release bolts (1) on engine mount.

Tightening torque [22 11 2AZ](#).Release screw (1) from engine support arm
(2).Tightening torque [22 11 3AZ](#).

Release screws (1).

Tightening torque [22 11 3AZ](#).

Remove engine support arm (2).

